

MaxiLED
Lighting

MaxiMARKER
DMX RGBW

MaxiMARKER

DMX RGBW



Key Features

- IP68
- IK10 Impact resistance (Optional)
- 5 year Warranty
- Single strand runs as long as 330 ft (100m)
- 512 DMX Controllable
- Available in Static Colours
- Available in Intelligent White

Description

The MaxiLED Marker Effects Series provides durable in-grade fixtures for step and pathway illumination. Connect up to 100 fixtures on a single run and control lighting effects with DMX-512. Matte glass reduces glare and delivers smooth colorful lighting across the circular surface of the fixture using dependable CREE LEDs.

Manufactured from quality materials with a MaxiSEAL finish (Optional) and incorporating our Patented 2 wire data over power technology, providing full DMX 512 control down the 2 power wires makes it the simplest to install and most cost effective product of its type in the market place today.

MaxiMarker Effect comes standard with a Pedestrian traffic impact rating but has an optional Drive-Over rating of 5000kg IK10 glass lens and an IP68 factory-sealed optical chamber.

MaxiMARKER DMX RGBW

Specifications

Power input: **48VDC**

Watts per unit: **2.4w**

LED Current: **100ma**

Lumens RGBW Frosted Glass (Full On): **25**

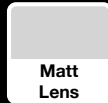
Certifications: **UL. UKCA. CE.**

Features



Lens Options

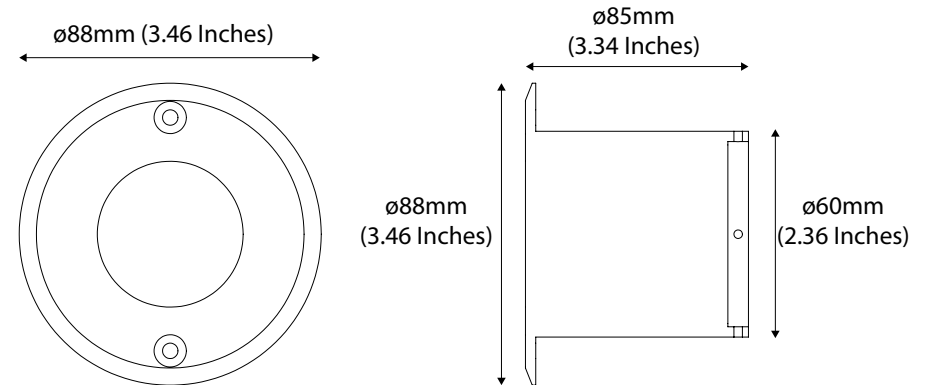
Frosted



Finishes



Dimensions



Accessories



Certifications



MaxiMARKER

DMX RGBW



MaxiLED Lighting

Unit 2, Farrington Place, Rossendale Road Ind. Est. Burnley, Lancashire. UK. BB11 5TY
T: +44 (0)1282 448086 E: sales@maxiledlighting.com Web: www.maxiledlighting.com