

MaxILED
Lighting

MaxiLANTERN
DMX RGBW



MaxiLANTERN

DMX RGBW



Key Features

- IP68
- 5 year Warranty
- Single strand runs as long as 330 ft (100m)
- 512 DMX Controllable
- Available in Static Colours
- Available in Clear and Matt Lens
- Operating temperatures -40°C to +50°C
- Vibration tested. ANSI C136.31

Description

Maxiled lighting have developed the MaxiLANTERN Series into a unique patent pending easy installation system for low power DMX projects over any two wires 1.5 or 2.5sqmm cable. The DMX install is simply the same wiring as a static install. All drivers and control can be housed 75metres away from the lighting. Simple, clean and unique especially for any installer that is not experienced in DMX installs.

MaxiLANTERN DMX RGBW

Specifications

Power input: **48VDC**

Watts per unit: **2.35w**

LED Current: **100ma**

Lumens RGBW Clear Lantern (Full On): **80**

Lumens RGBW Frosted Lantern (Full On): **25**

Features

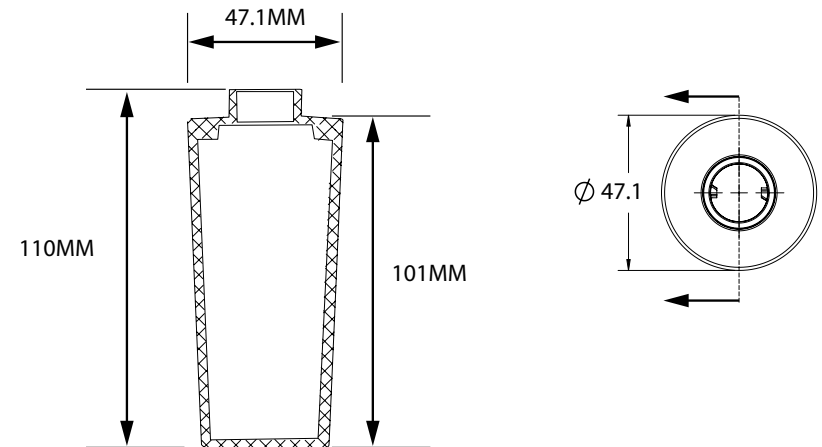


Finishes



(MOQ)

Dimensions



Certifications



MaxiLED
Lighting

MaxiLANTERN

DMX RGBW



MaxiLED Lighting

Unit 2, Farrington Place, Rossendale Road Ind. Est. Burnley, Lancashire. UK. BB11 5TY
T: +44 (0)1282 448086 E: sales@maxiledlighting.com Web: www.maxiledlighting.com